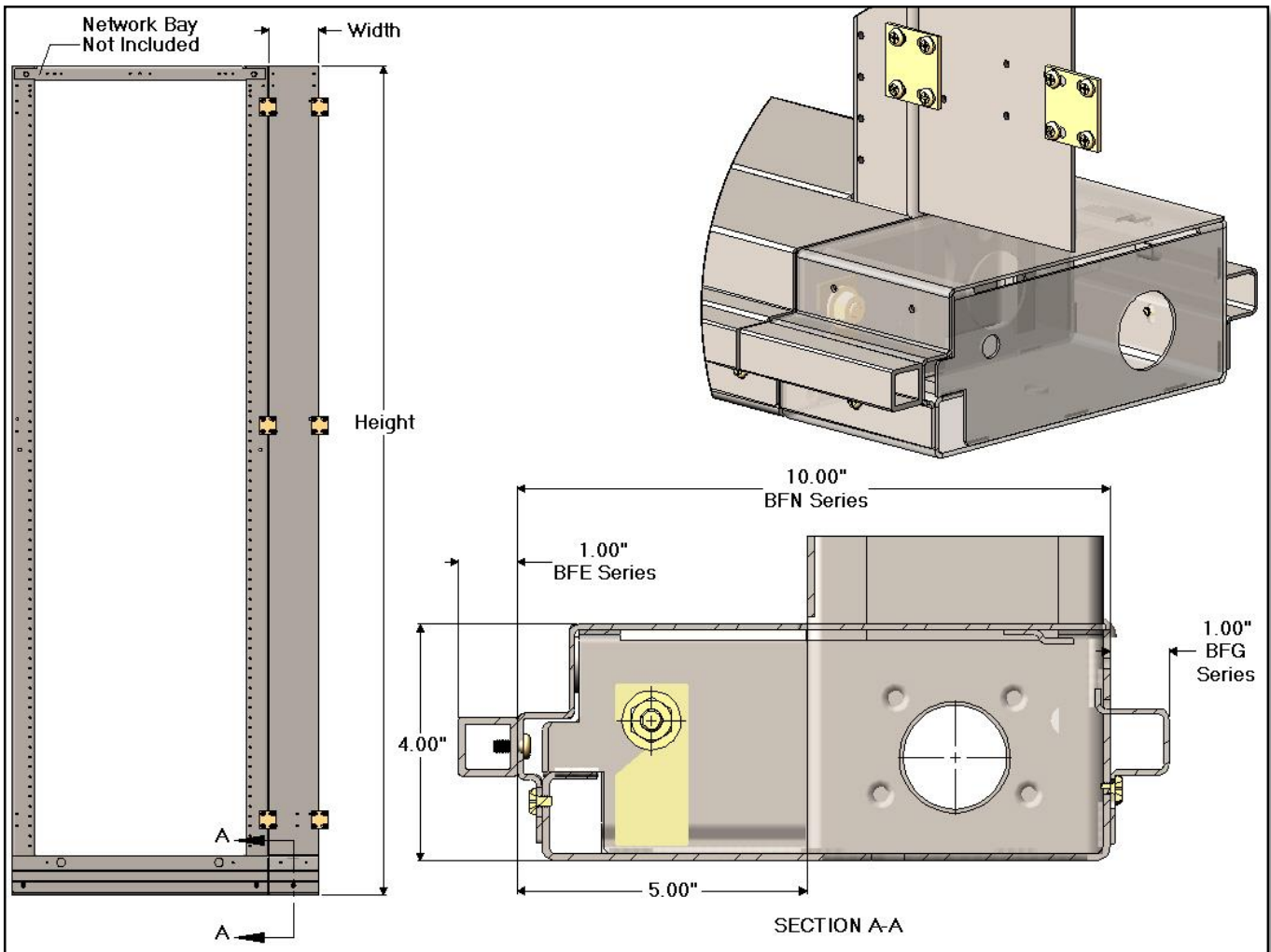


FPB Kit Series - Filler Panel Kit w/ 12.00" Depth 6+5+1 Footprint



FPB1 Series 2.50" Wide - Filler Panel Kit w/ 12.00" Depth 6+5+1 Footprint	
CSF P/N#	Filler Panel + Base Filler [Height]
FPB125xxK	84.00"
FPB135xxK	108.00"
FPB147xxK	138.00"

FPB2 Series 5.00" Wide - Filler Panel Kit w/ 12.00" Depth 6-5-1 Footprint	
CSF P/N#	Filler Panel + Base Filler [Height]
FPB225xxK	84.00"
FPB235xxK	108.00"
FPB247xxK	138.00"

Notes:

- See FPA for Filler Panel only.
- Kit includes all Mounting Hardware for Filler Panel and Base Filler.
- Other sizes and finishes available upon request.

Specifications subject to change. Please contact CSF Customer Service for more information.